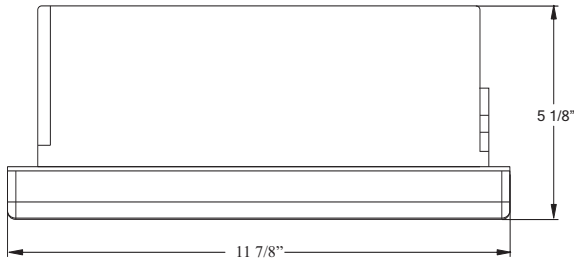
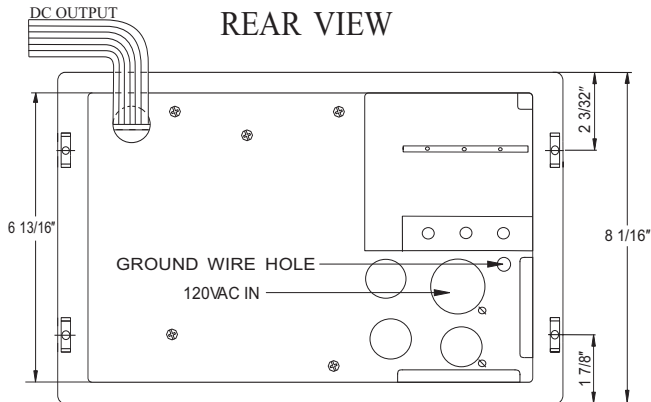




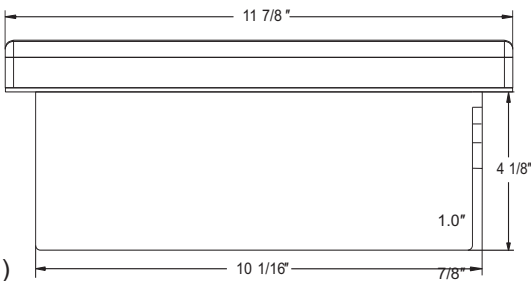
TOP VIEW



REAR VIEW



BOTTOM VIEW



(Figure. 1)

CD-M-00001-9

INSTALLATION INSTRUCTIONS

4

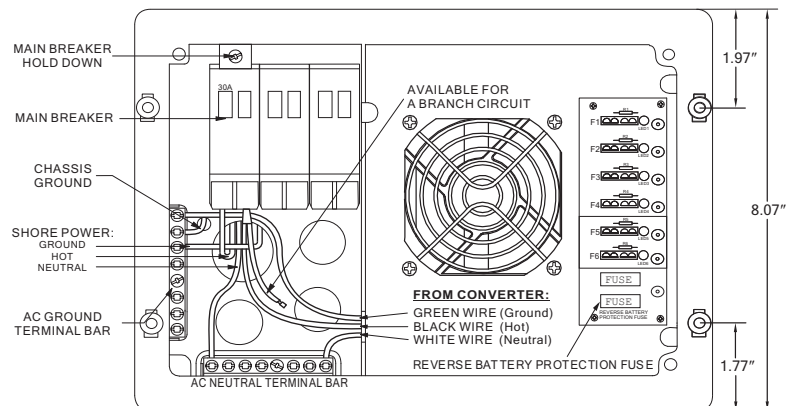
OEM Installation Manual
For use with WFCO ULTRA III Power Center
Model WF-8735P and WF-8740P



Distributed in the U.S.A. and Canada by
Arterra Distribution
Warranty Service (877) 294-8997
Fax (574) 294-8698
www.wfcoelectronics.com



WF-8735 and WF-8740 Wiring Diagram



(Figure. 2)

UL®-Listed Main Circuit Breakers, rated for 120 Vac, maximum 30 Aac
Acceptable circuit breakers are as follows:

Manufacturer	Model/Cat. No./Type
Cutler Hammer	Type BR and C
Thomas Betts	Type TB or TBBD
ITE/Siemens	Type QP or QT
Square D	Type HOM or HOMT
Murray	Type MP-T or MH-T

UL®-Listed Branch Circuit Breakers, rated for 120 Vac, maximum 20 Aac
Acceptable circuit breakers are as follows:

Manufacturer	Model/Cat. No./Type
Cutler Hammer	Type BR and C, Type BRD BD and A
Thomas Betts	Type TB and TBBD
ITE/Siemens	Type QP or QT
Square D	Type HOM and HOMT
Murray	Type MH-T or MP-T

- A replacement or additional circuit breaker shall be of the same manufacturer, type designation, and equal or greater interrupting rating, not to exceed 30 A.
- "Short-Circuit-Current" rating for the breaker should be 10,000 A.

- **Breaker Filler Plates:**

Manufacturer	Model/Cat. No./Type
WFCO	FP-01 or FP-01B

INSTALLATION INSTRUCTIONS



OEM Installation of the WFCO 8735/40 Power Center

Select a mounting location near the shore power and battery (batteries) and cut a rough opening 1/8" wider than the box to allow the power center to slide in easily.

Select a mounting location that is appropriate to prevent excessive heat, water, moisture, dust and dirt entering the unit installed. Allow a minimum of two cubic feet of clear airspace and any additional venting as necessary to prevent the unit from overheating.

⚠ WARNING ⚠

This unit employs components that tend to produce arcs or sparks. To prevent fire or explosion, do not install in compartments containing batteries or flammable materials (LPgas).

⚠ CAUTION ⚠

To prevent fire, do not cover or obstruct ventilation openings. Do not mount in zero-clearance compartment. Overheating may result.

For continued protection against risk of fire, or electric shock replace only with same type and ratings of fuse.

The fuse rating that the manufacturer suggests for the output fuses will be marked on the unit. Replace only with same type and rating.

During the manufacturing process, be sure that all converter openings are protected from debris falling into the unit. **(This is a non-warranty item.)**

NOTE: If the reverse battery protection fuses are blown during installation, be sure that the battery has been connected properly, then replace the fuses with ATC "Littelfuse®" Type 257 with the same rating as the original.

For proper wire sizes and torque requirements, refer to the label on the door assembly.

INSTALLATION INSTRUCTIONS

3